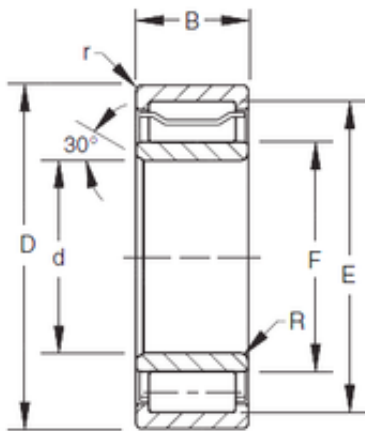


Geometry Factor C_g^3 TIMKEN A-5236-WS A5200 Metric Cylindrical Roller Radial Bearing

Bearing No. A-5236-WS



Bore Diameter	180 mm
Outer Diameter	298 mm
d	180 mm
F	211 mm
D	320 mm
E	298 mm
B	107,95 mm
C	107,95 mm
R	6,4 mm
r	3 mm

A-5236-WS Bearing 2D drawings and 3D CAD models