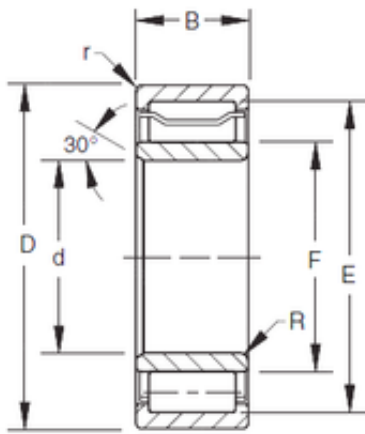


Geometry Factor C_g^3 TIMKEN A-5226-WS A5200 Metric Cylindrical Roller Radial Bearing

Bearing No. A-5226-WS



A-5226-WS Bearing 2D drawings and 3D CAD models

Bore Diameter	130 mm
Outer Diameter	213 mm
d	130 mm
F	148 mm
D	230 mm
E	213 mm
B	79,375 mm
C	79,375 mm
R	4,8 mm
r	2,5 mm