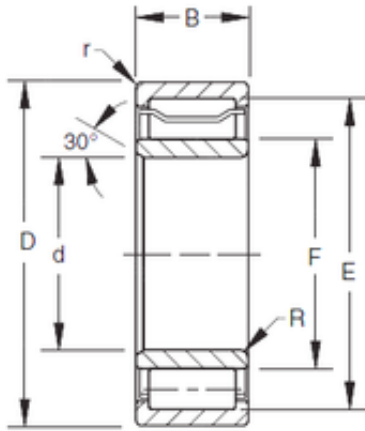


Width B TIMKEN A-5234-WS A5200 Metric Cylindrical Roller Radial Bearing

Bearing No. A-5234-WS



A-5234-WS Bearing 2D drawings and 3D CAD models

Bore Diameter	170 mm
Outer Diameter	286 mm
d	170 mm
F	202 mm
D	310 mm
E	286 mm
B	104,775 mm
C	104,775 mm
R	6,4 mm
r	3 mm